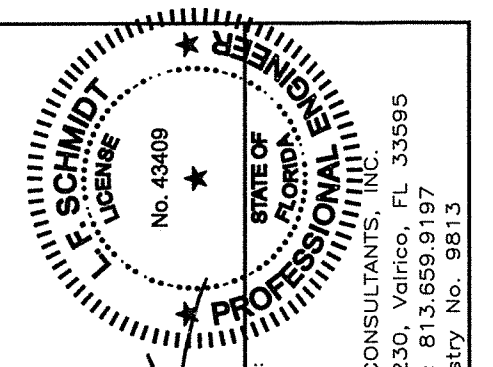
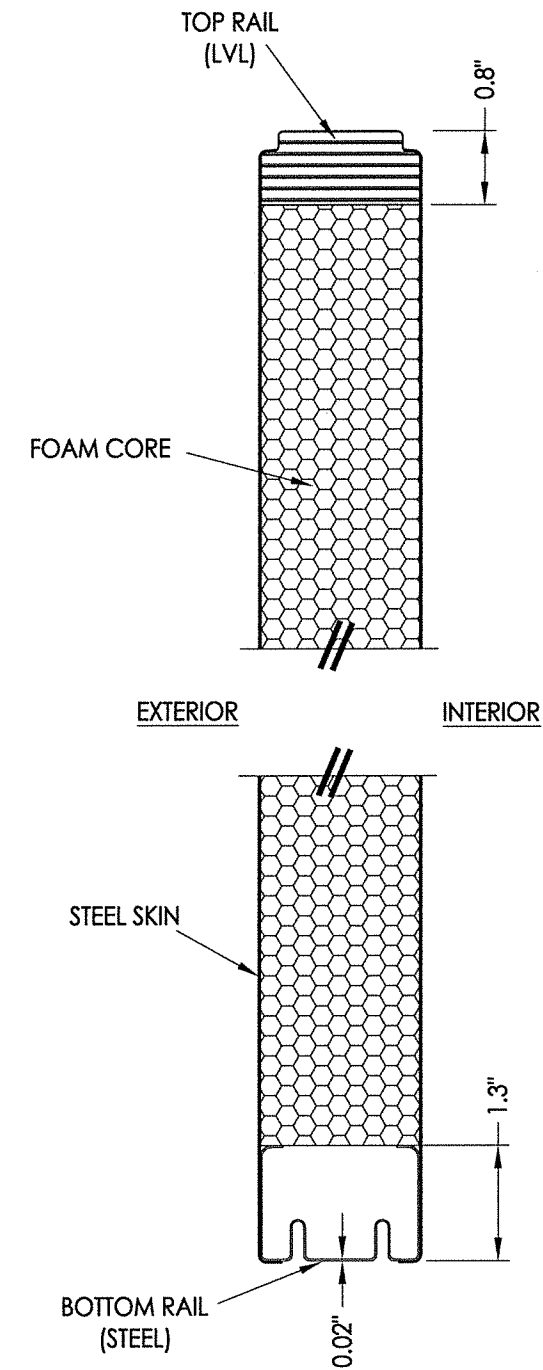


STEEL SKIN: 0.020" MIN. THK.
FOAM CORE: POLYSTYRENE - 2 PCF MIN.

HARDWARE TABLE	
MANUFACTURER	MODEL
YALE	KNOB: YE SERIES (10) DEADBOLT: YE SERIES (82E)

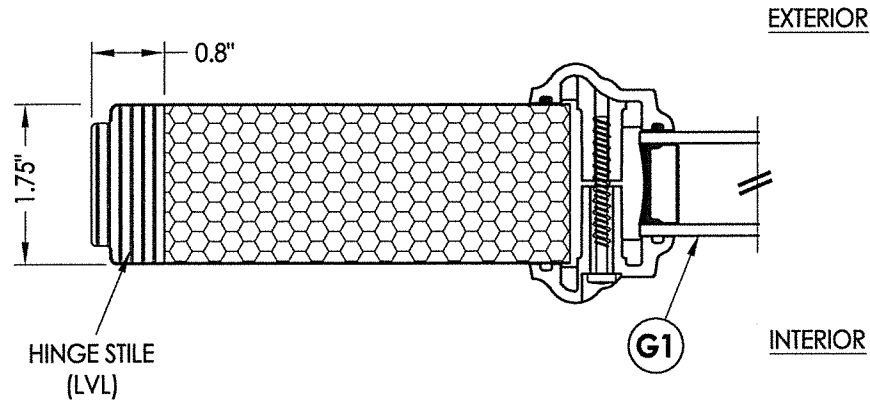


August 6, 2020
 Documents Prepared By:
 Lyndon F. Schmidt
 P.E. No. 43409
 BUILDING CONSULTANTS, INC.
 P.O. Box 230, Vairico, FL 33595
 Phone No.: 813.659.9197
 FBPE Registry No. 9813

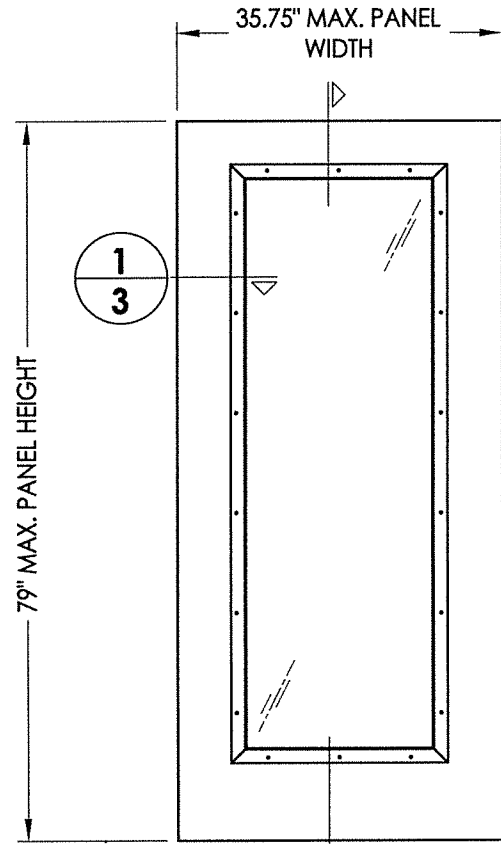
PRODUCT: DOORSCAPES STEEL DOOR
 PART OR ASSEMBLY: DOOR PANEL & GLAZING DETAILS

NO.	DATE	BY	REVISIONS
1	8/06/20	FBC	UPDATE TO 7TH ED. (2020)
		LFS	

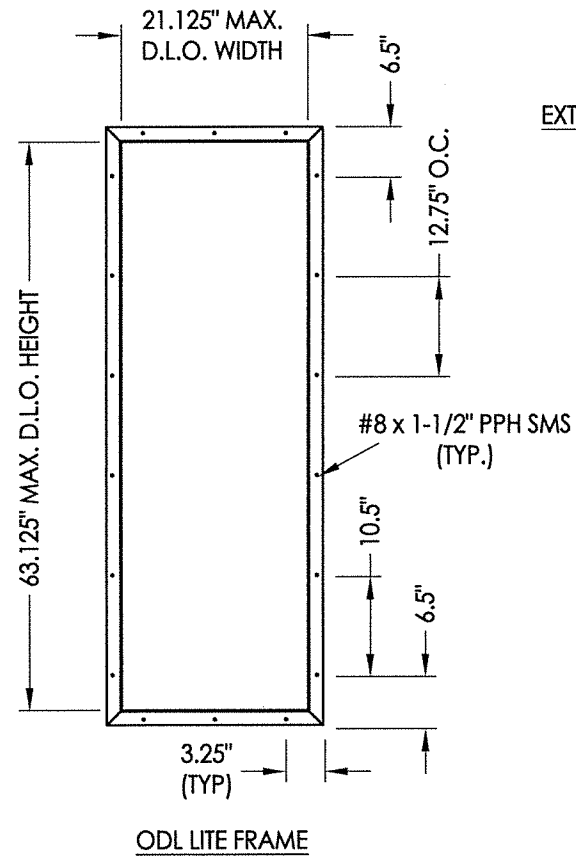
DATE: 1/21/19
 SCALE: N.T.S.
 DWG. BY: MT
 CHK. BY: LFS
 DRAWING NO.: FL-28832.2
 SHEET 2 OF 13



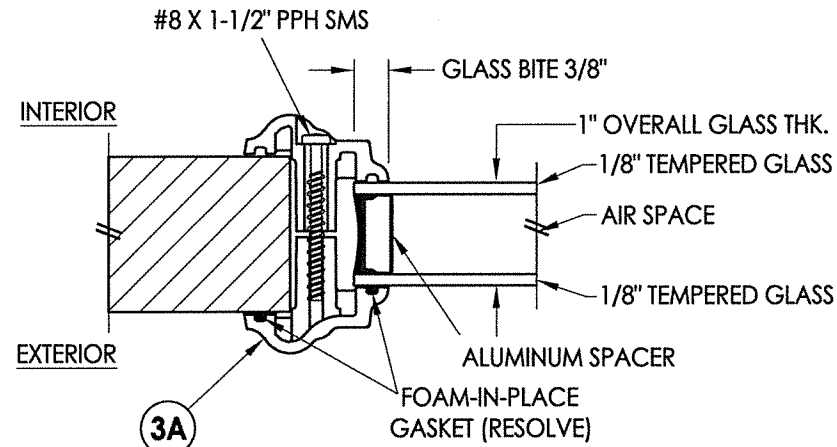
1
3 HORIZONTAL CROSS SECTION



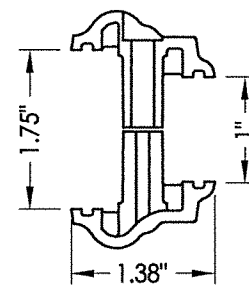
2
3
50 SIDELITE PANEL
Doorscapes



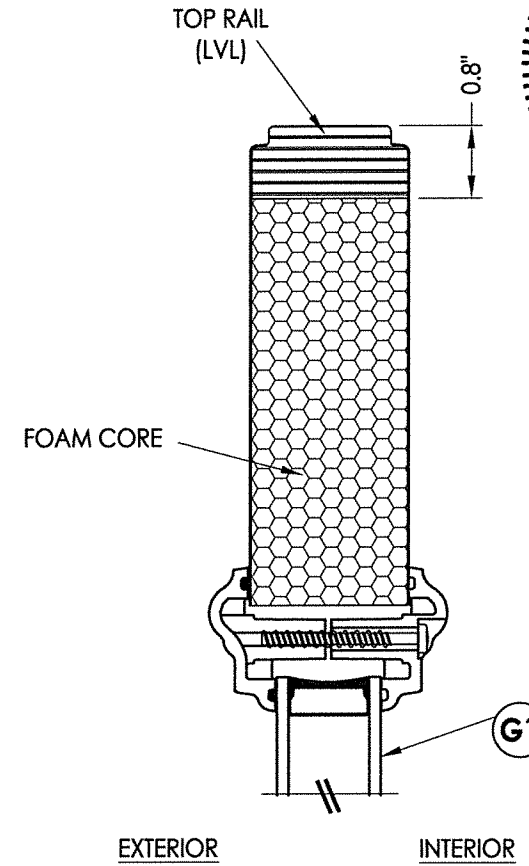
ODL LITE FRAME



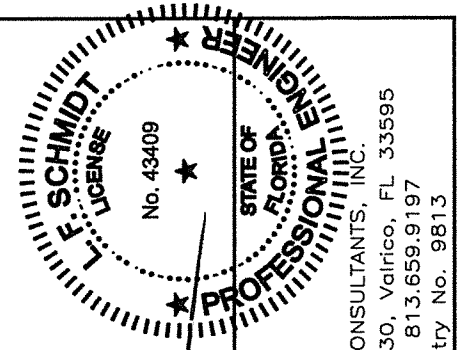
G1 GLAZING DETAIL
ODL LITE FRAME



3A ODL LITE FRAME
HP Polypropylene



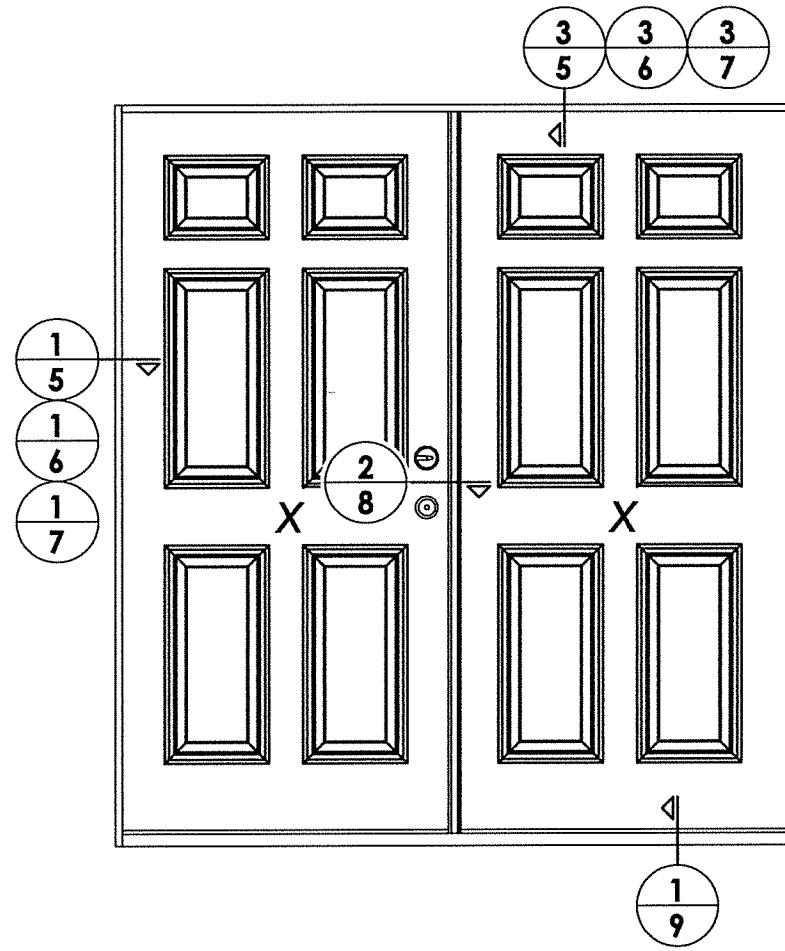
2
3 VERTICAL CROSS SECTION



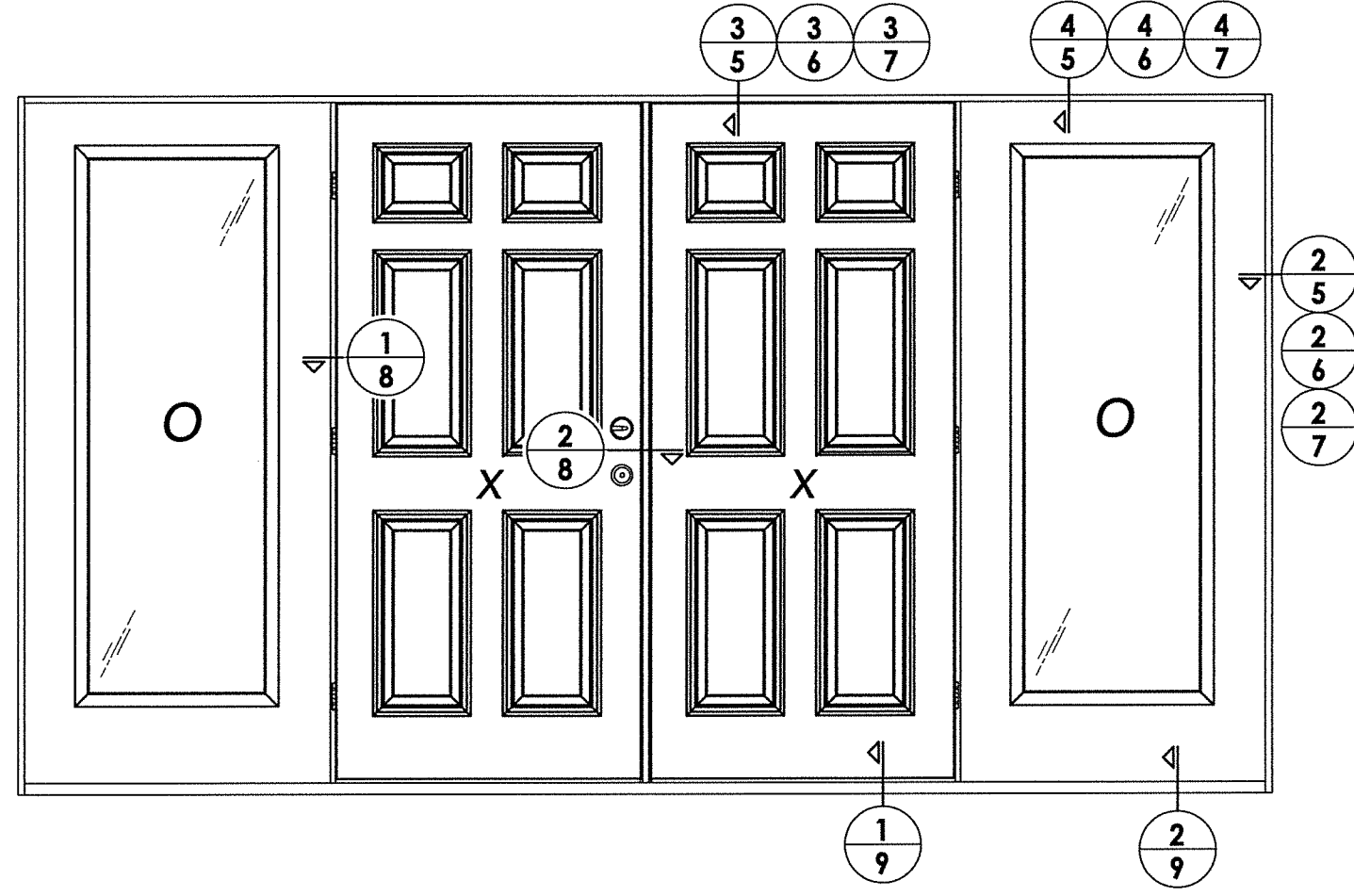
August 6, 2020
 Documents Prepared By:
 Lyndon F. Schmidt
 P.E. No. 43409
 R.W.
 BUILDING CONSULTANTS, INC.
 P.O. Box 230, Valrico, FL 33595
 Phone No.: 813.659.9197
 FBPE Registry No. 9813

PRODUCT:	DOORSCAPES STEEL DOOR	
PART OR ASSEMBLY:	DOOR PANEL & GLAZING DETAILS	
DATE:	1/21/19	
SCALE:	N.T.S.	
DWG. BY:	MT	
CHK. BY:	LFS	
DRAWING NO.:	FL-28832.2	
SHEET	3 OF 13	
NO.	DATE	BY
1	8/06/20	UPDATE TO 7TH ED. (2020) FBC
		LFS
		BY
		REVISIONS

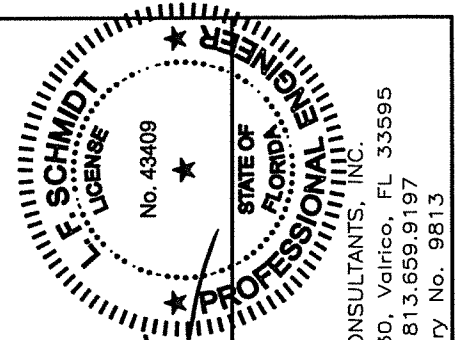
STEEL SKIN: 0.020" MIN. THK.
 FOAM CORE: POLYSTYRENE - 2 PCF MIN.



ELEVATION
XX



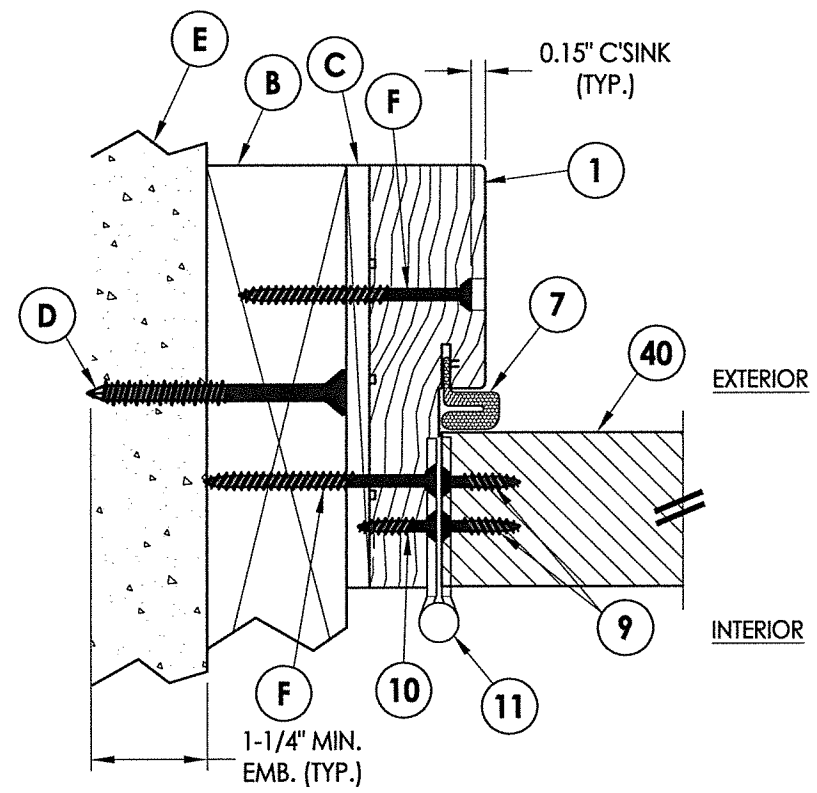
ELEVATION
OXXO



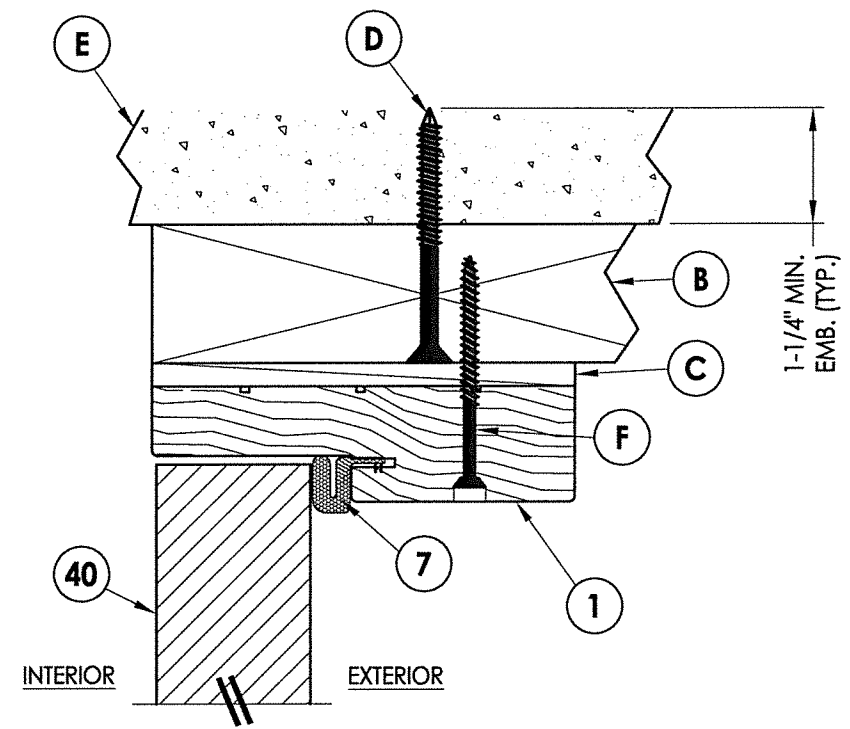
August 6, 2020
 Documents Prepared By:
 Lyndon F. Schmidt
 P.E. No. 43409
 R.W. BUILDING CONSULTANTS, INC.
 P.O. Box 230, Vairico, FL 33595
 Phone No.: 813.659.9197
 FBPE Registry No. 9813

PRODUCT: DOORSCAPES STEEL DOOR		PART OR ASSEMBLY: ELEVATIONS	
NO.	DATE	BY	REVISIONS
1	8/06/20	LFS	UPDATE TO 7TH ED. (2020) FBC
DATE: 1/21/19		SCALE: N.T.S.	
DWG. BY: MT		CHK. BY: LFS	
DRAWING NO.: FL-28832.2		SHEET 4 OF 13	

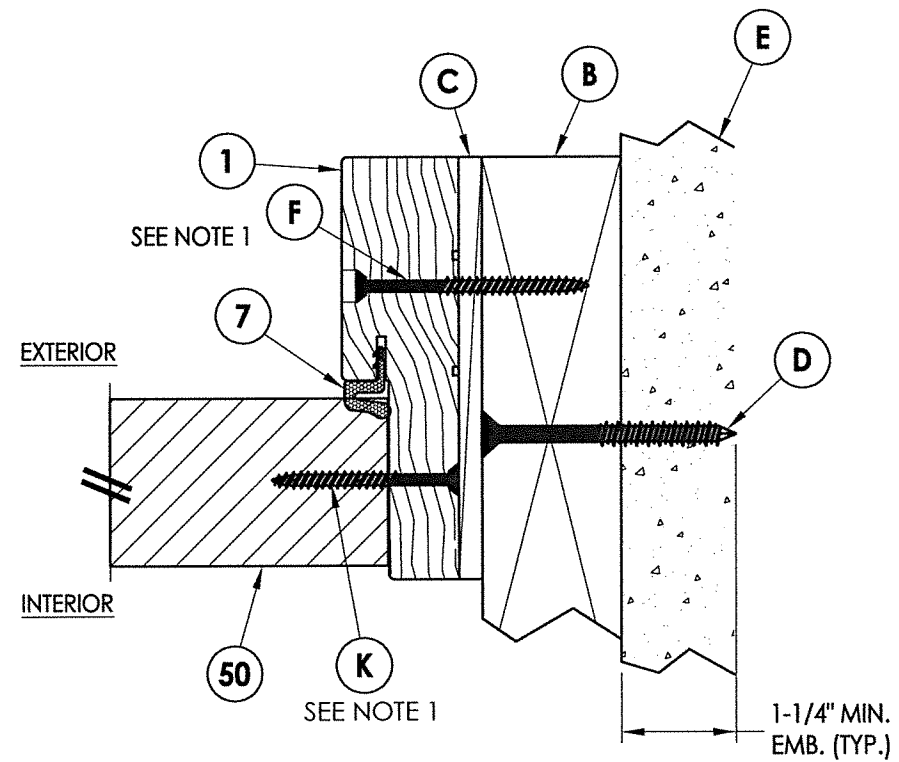
R:\Clients\Doorscapes\A - Florida Product Approvals\FL-28832 (Steel Door)\C - Drawings\FL-28832 (2020)\FL28832.1-2.dwg, 5.2



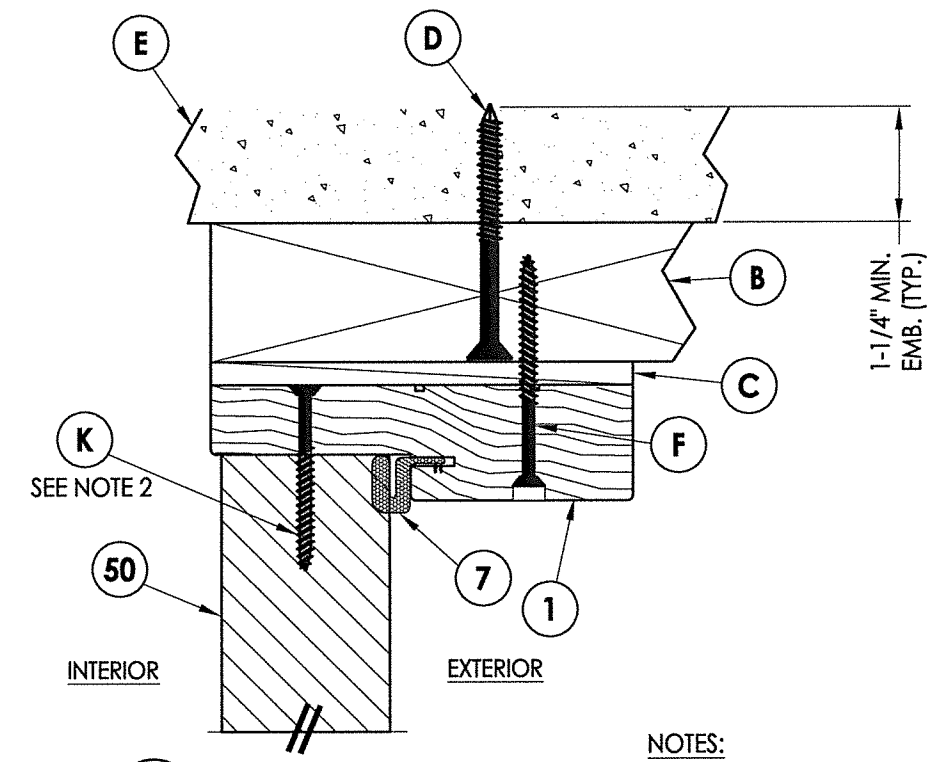
1 HORIZONTAL CROSS SECTION
5 Inswing
 2X Buck Construction



3 VERTICAL CROSS SECTION
5 Inswing
 2X Buck Construction

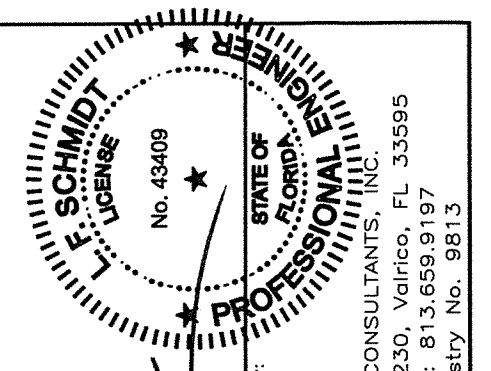


2 HORIZONTAL CROSS SECTION
5 Inswing
 2X Buck Construction



4 VERTICAL CROSS SECTION
5 Inswing
 2X Buck Construction

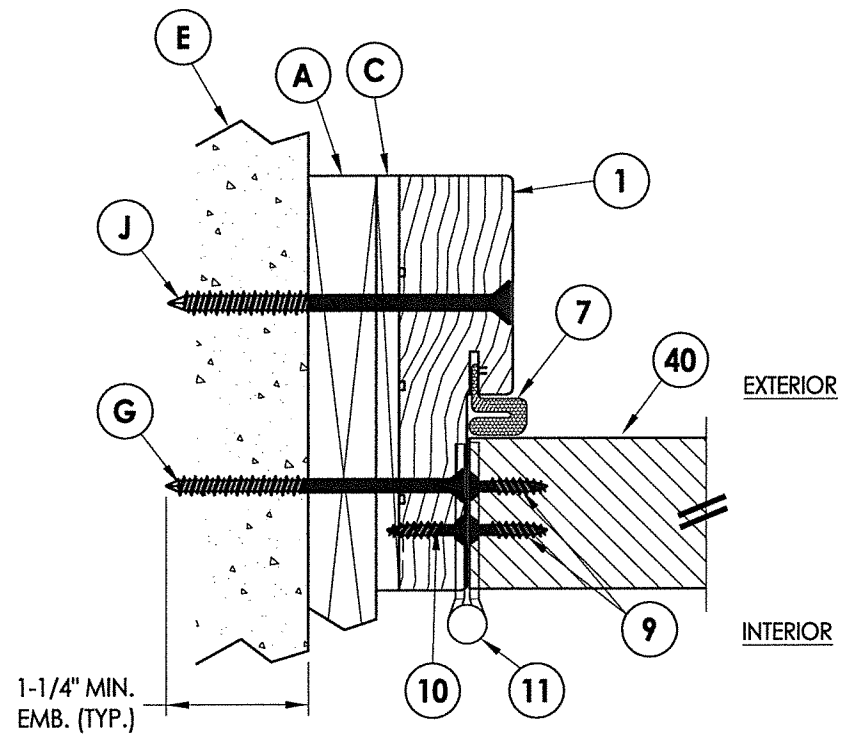
- NOTES:**
- Sidelite attached @ 6" from each end plus 4 more screws equally spaced between (6 screws total per jamb).
 - Sidelite attached @ 3" from each end (2 screws total @ head).



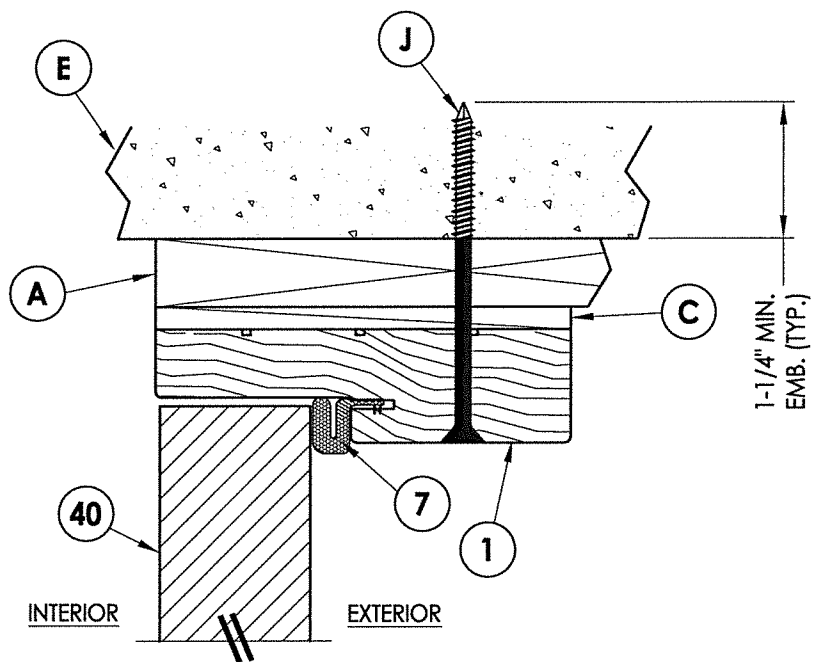
August 6, 2020
 Documents Prepared By:
 Lyndon F. Schmidt
 P.E. No. 43409
 R.W. BUILDING CONSULTANTS, INC.
 P.O. Box 230, Valrico, FL 33595
 Phone No.: 813.659.9197
 FBPE Registry No. 9813

PRODUCT:		DOORSCAPES STEEL DOOR	
PART OR ASSEMBLY:		HORIZONTAL & VERTICAL CROSS SECTIONS (2X BUCK)	
NO.	DATE	BY	LFS
1	8/06/20	UPDATE TO 7TH ED. (2020)	FBC
REVISIONS			
DATE: 1/21/19			
SCALE: N.T.S.			
DWG. BY: MT			
CHK. BY: LFS			
DRAWING NO.: FL-28832.2			
SHEET 5 OF 13			

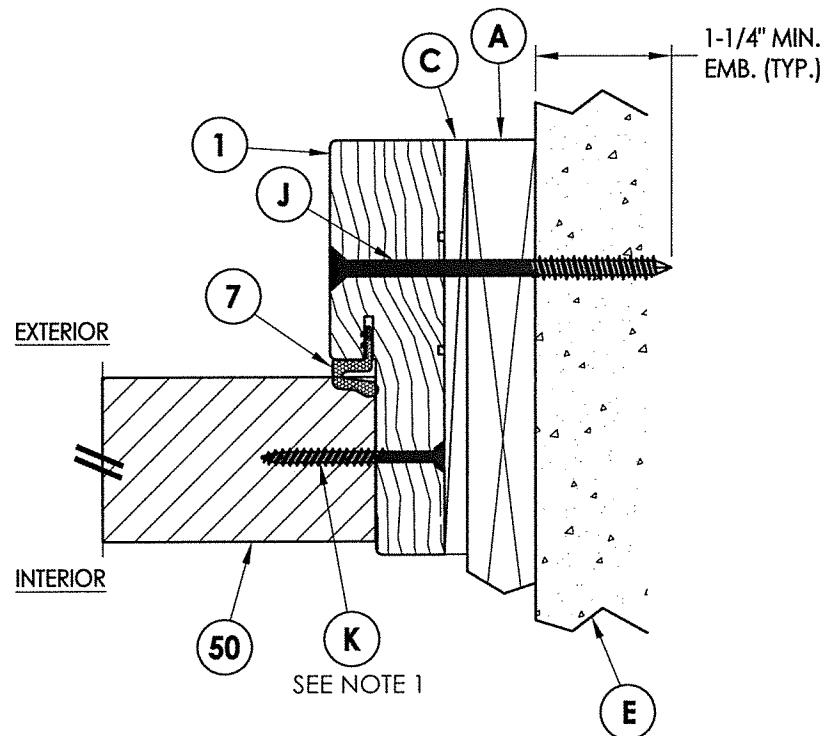
R:\Clients\Doorscapes\A - Florida Product Approvals\FL-28832 (Steel Door)\C - Drawings\FL-28832 (2020)\FL28832.1-2.dwg, 6.2



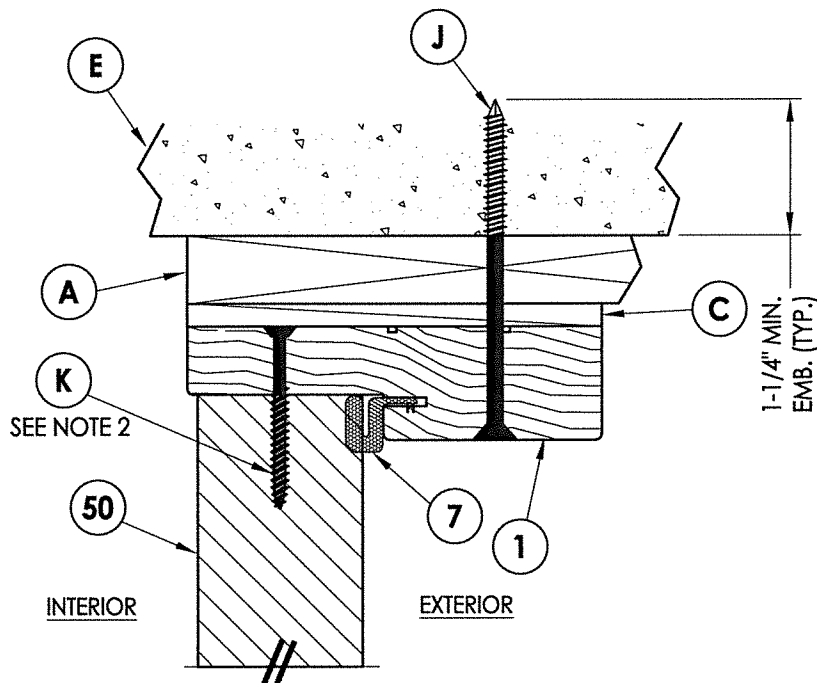
1 HORIZONTAL CROSS SECTION
6 Inswing
1X Buck Construction



3 VERTICAL CROSS SECTION
6 Inswing
1X Buck Construction

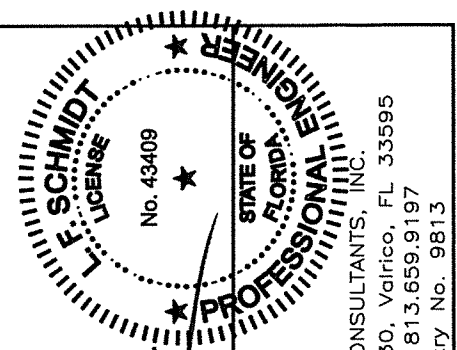


2 HORIZONTAL CROSS SECTION
6 Inswing
1X Buck Construction



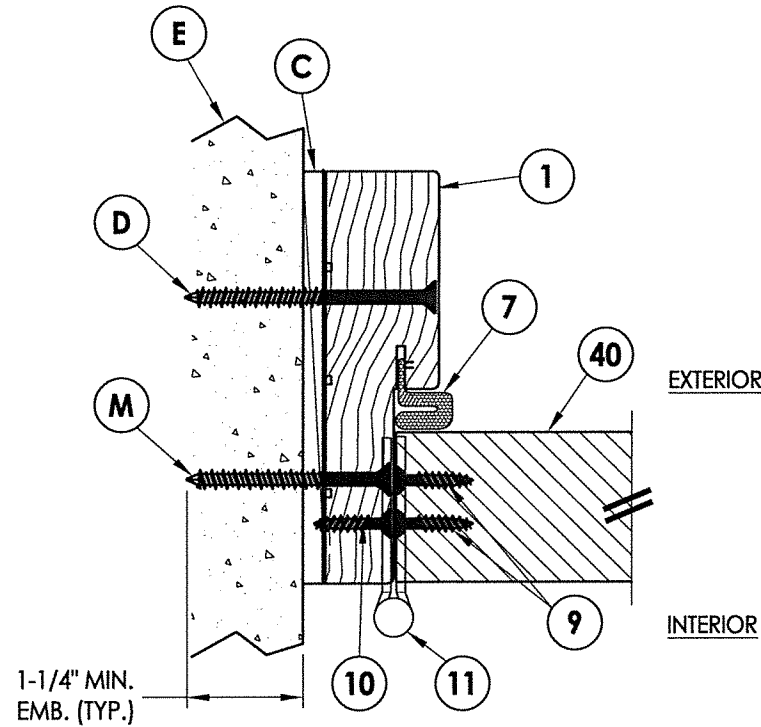
4 VERTICAL CROSS SECTION
6 Inswing
1X Buck Construction

- NOTES:**
- Sidelite attached @ 6" from each end plus 4 more screws equally spaced between (6 screws total per jamb).
 - Sidelite attached @ 3" from each end (2 screws total @ head).

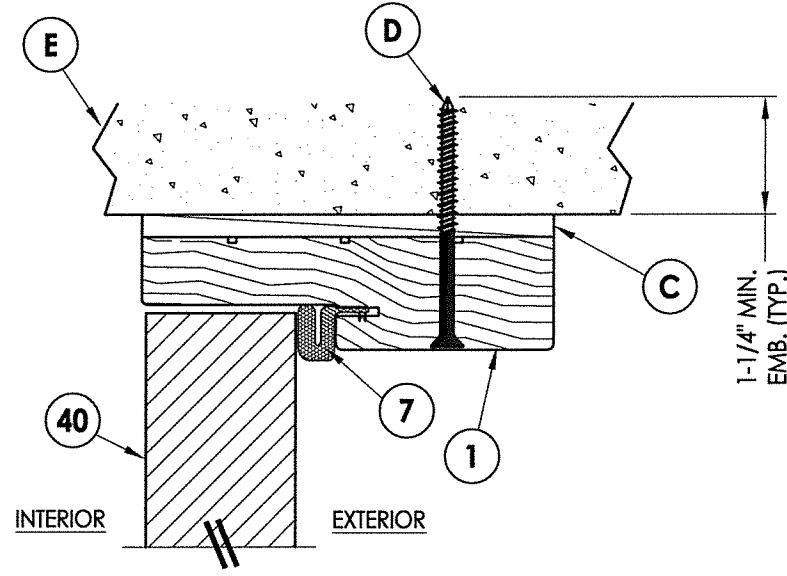


August 6, 2020
 Documents Prepared By:
 Lyndon F. Schmidt
 P.E. No. 43409
 R.W. BUILDING CONSULTANTS, INC.
 P.O. Box 230, Vairico, FL 33595
 Phone No.: 813.659.9197
 FBPE Registry No. 9813

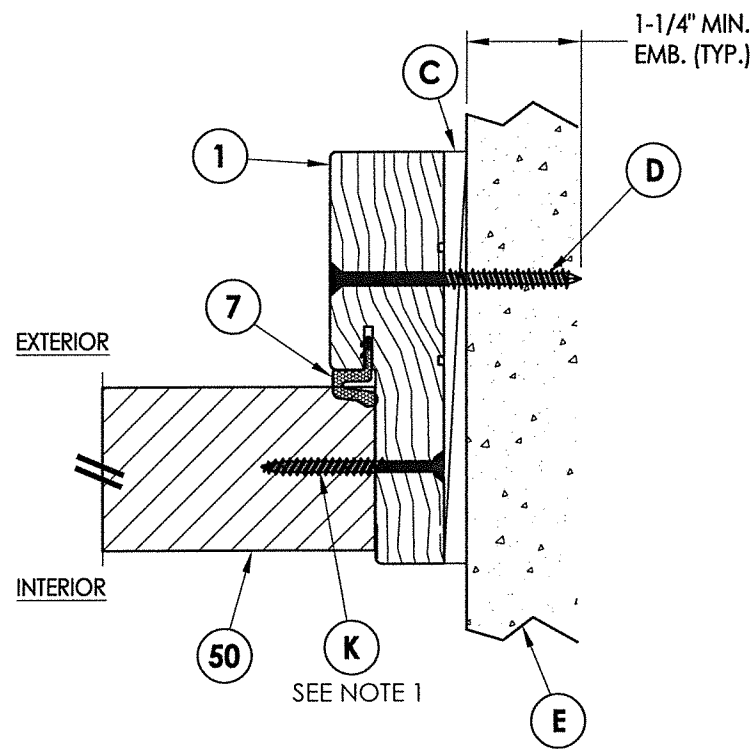
PRODUCT:	DOORSCAPES STEEL DOOR
PART OR ASSEMBLY:	HORIZONTAL & VERTICAL CROSS SECTIONS (1X BUCK)
DATE:	1/21/19
SCALE:	N.T.S.
DWG. BY:	MT
CHK. BY:	LFS
DRAWING NO.:	FL-28832.2
SHEET	6 of 13



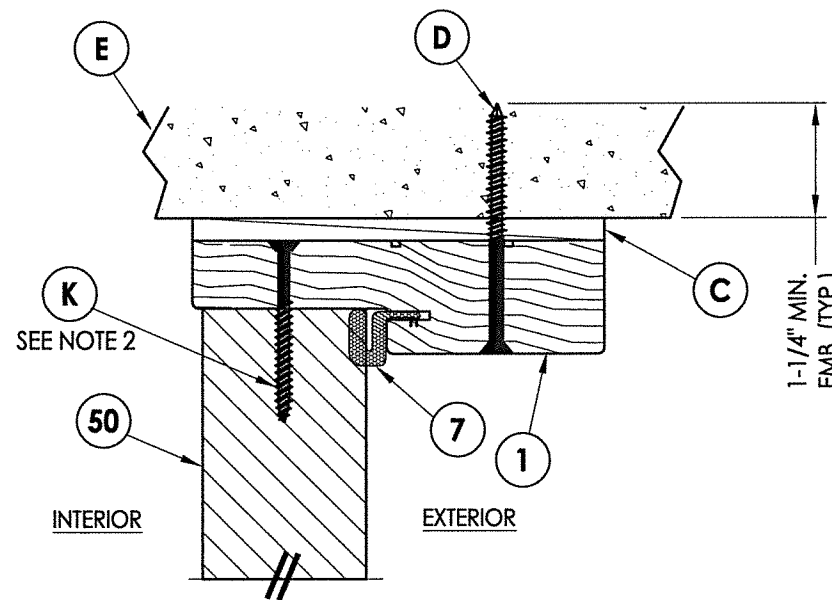
1 **HORIZONTAL CROSS SECTION**
7 Inswing
 Shown Direct to Masonry



3 **VERTICAL CROSS SECTION**
7 Inswing
 Shown Direct to Masonry



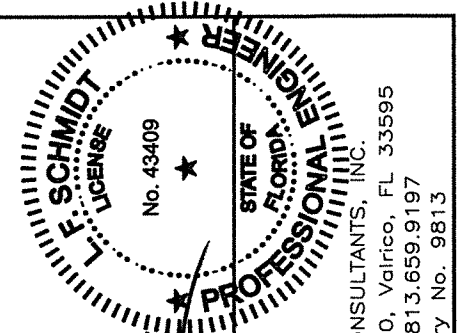
2 **HORIZONTAL CROSS SECTION**
7 Inswing
 Shown Direct to Masonry



4 **VERTICAL CROSS SECTION**
7 Inswing
 Shown Direct to Masonry

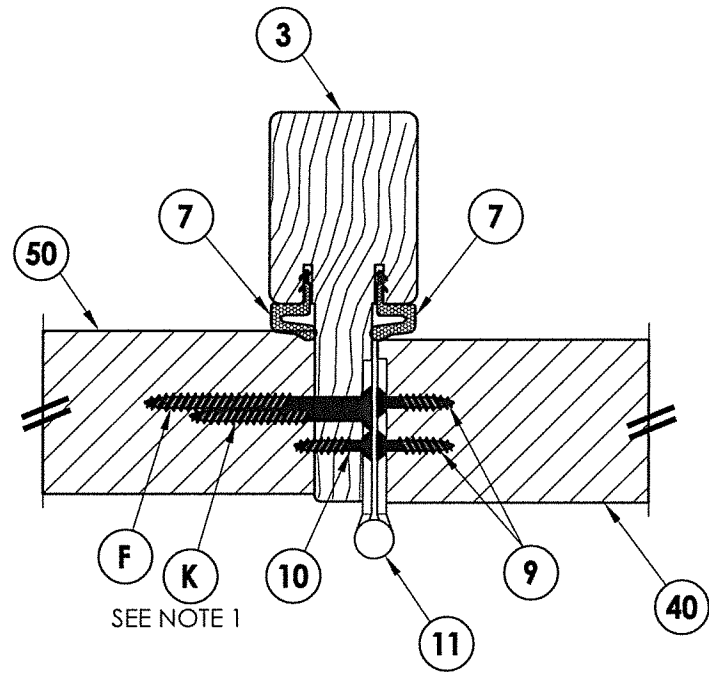
NOTES:

- Sidelite attached @ 6" from each end plus 4 more screws equally spaced between (6 screws total per jamb).
- Sidelite attached @ 3" from each end (2 screws total @ head).



August 6, 2020
 Documents Prepared By:
 Lyndon F. Schmidt
 P.E. No. 43409
 R.W.
 BUILDING CONSULTANTS, INC.
 P.O. Box 230, Valrico, FL 33595
 Phone No.: 813.659.9197
 FBPE Registry No. 9813

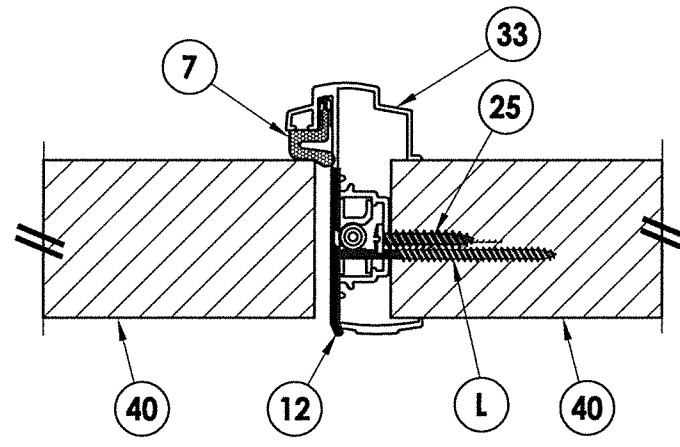
PRODUCT:		DOORSCAPES STEEL DOOR	
PART OR ASSEMBLY:		HORIZONTAL & VERTICAL CROSS SECTIONS (DIRECT TO MASONRY)	
NO.	DATE	BY	REVISIONS
1	8/06/20	FBC	UPDATE TO 7TH ED. (2020)
		LFS	
DATE:		1/21/19	
SCALE:		N.T.S.	
DWG. BY:		MT	
CHK. BY:		LFS	
DRAWING NO.:		FL-28832.2	
SHEET		7 OF 13	



1 HORIZONTAL CROSS SECTION
8 Inswing

EXTERIOR

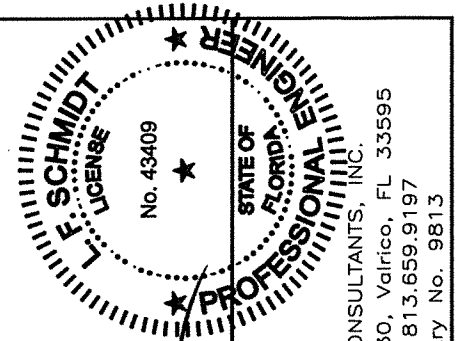
INTERIOR



2 HORIZONTAL CROSS SECTION
8 Inswing

NOTE:

1. Sidelite attached w/ 1 screw equally spaced between each hinge (2 screws total per mullion).



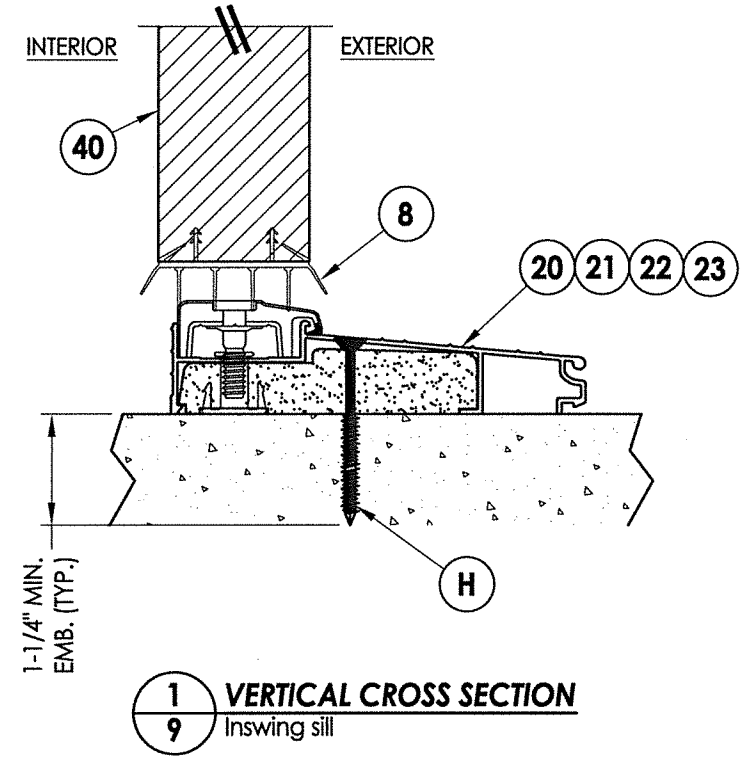
August 6, 2020
 Documents Prepared By:
 Lyndon F. Schmidt
 P.E. No. 43409

R.W.
 BUILDING CONSULTANTS, INC.
 P.O. Box 230, Valrico, FL 33595
 Phone No.: 813.659.9197
 FBPE Registry No. 9813

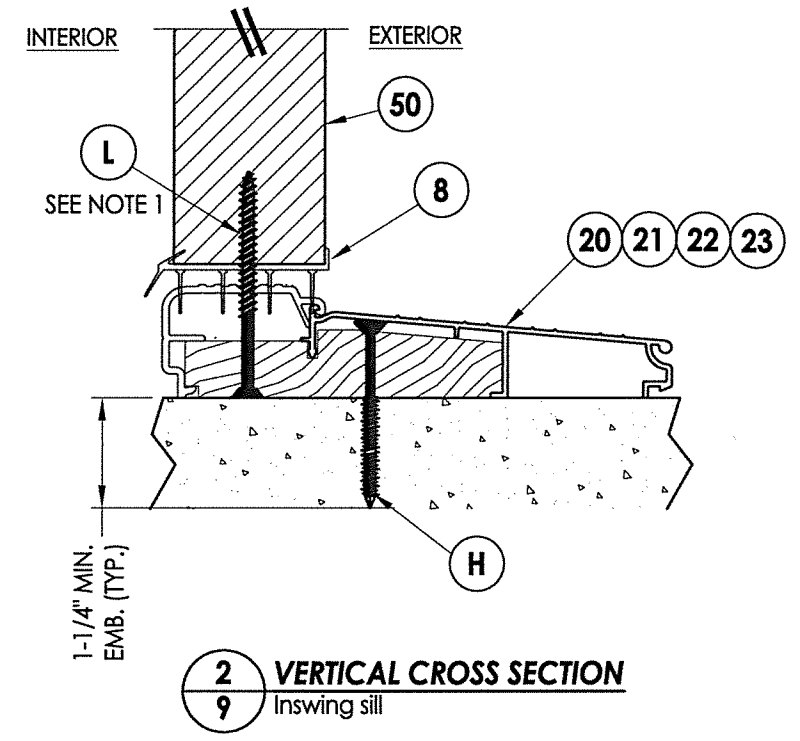
PRODUCT: DOORSCAPES STEEL DOOR
 PART OR ASSEMBLY: HORIZONTAL CROSS SECTIONS

NO.	DATE	REVISIONS
1	8/06/20	UPDATE TO 7TH ED. (2020) FBC
		LFS
		BY

DATE: 1/21/19
 SCALE: N.T.S.
 DWG. BY: MT
 CHK. BY: LFS
 DRAWING NO.: FL-28832.2
 SHEET 8 OF 13

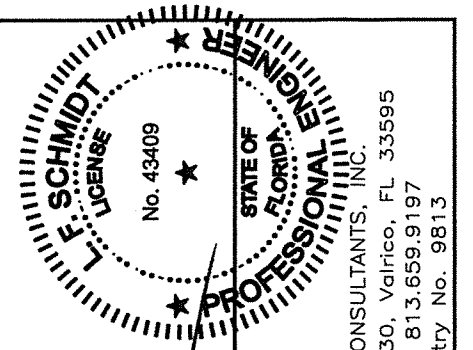


1 VERTICAL CROSS SECTION
9 Inswing sill



2 VERTICAL CROSS SECTION
9 Inswing sill

NOTE:
1. Sidelite attached @ 3" from each end (2 screws total @ sill).

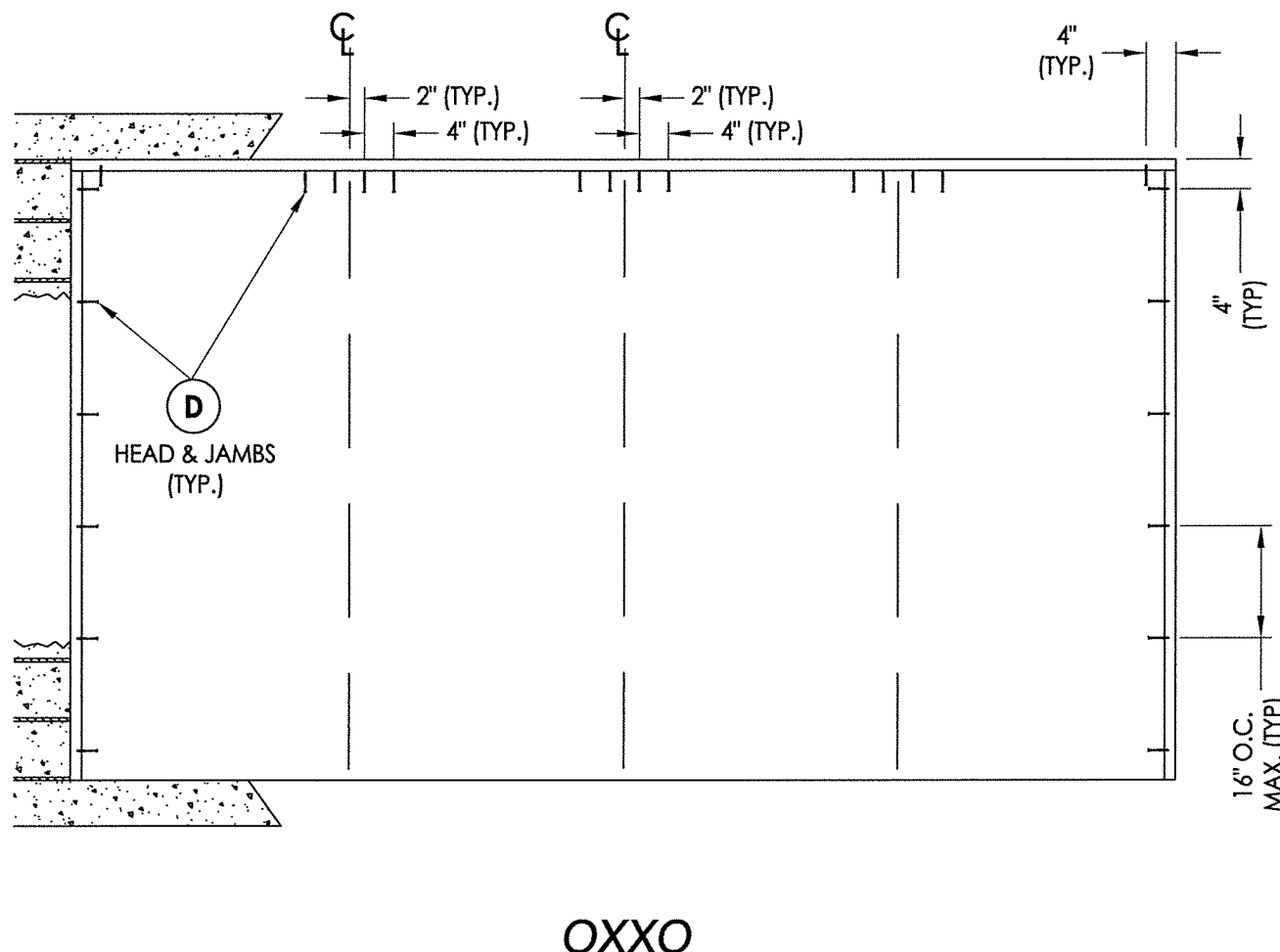
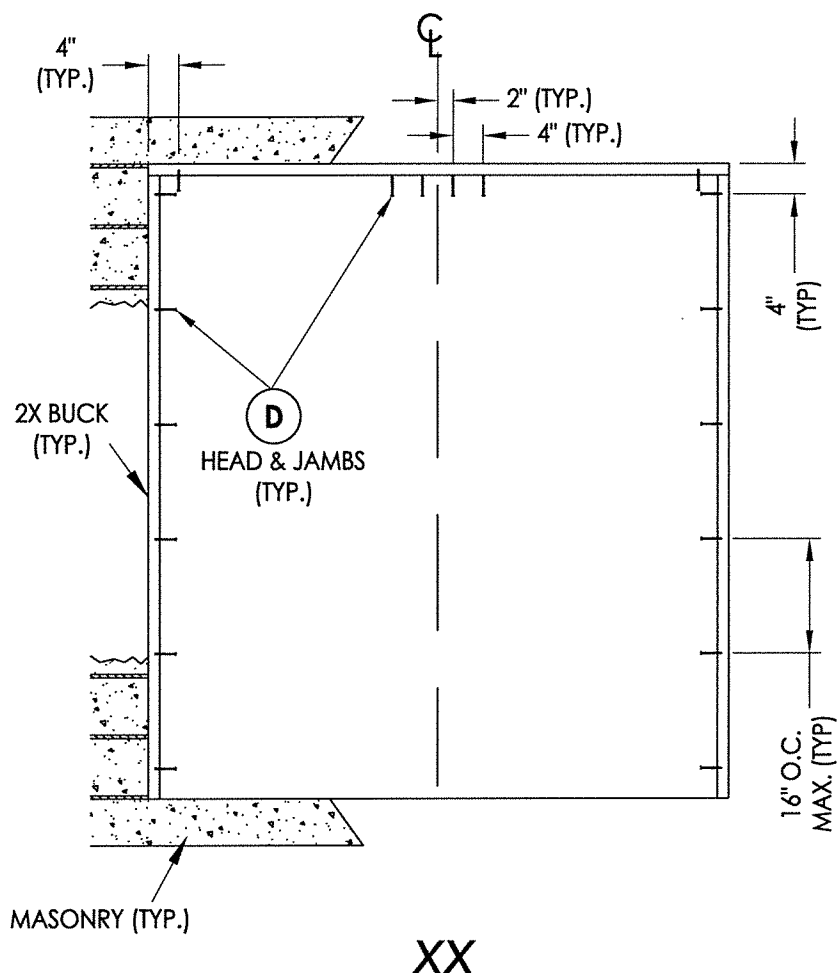


LFS
August 6, 2020

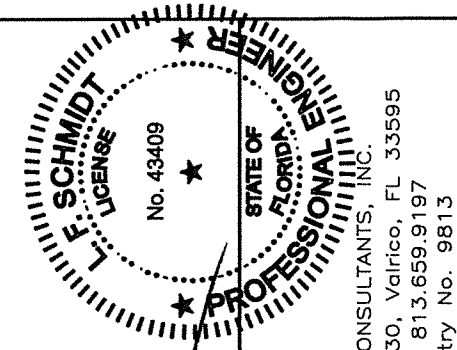
Documents Prepared By:
Lyndon F. Schmidt
P.E. No. 43409

RW
BUILDING CONSULTANTS, INC.
P.O. Box 230, Valrico, FL 33595
Phone No.: 813.659.9197
FBPE Registry No. 9813

PRODUCT:		DOORSCAPES STEEL DOOR	
PART OR ASSEMBLY:		VERTICAL CROSS SECTIONS	
NO.	DATE	BY	REVISIONS
1	8/06/20	LFS	UPDATE TO 7TH ED. (2020) FBC
DATE:		1/21/19	
SCALE:		N.T.S.	
DWG. BY:		MT	
CHK. BY:		LFS	
DRAWING NO.:		FL-28832.2	
SHEET		9 OF 13	



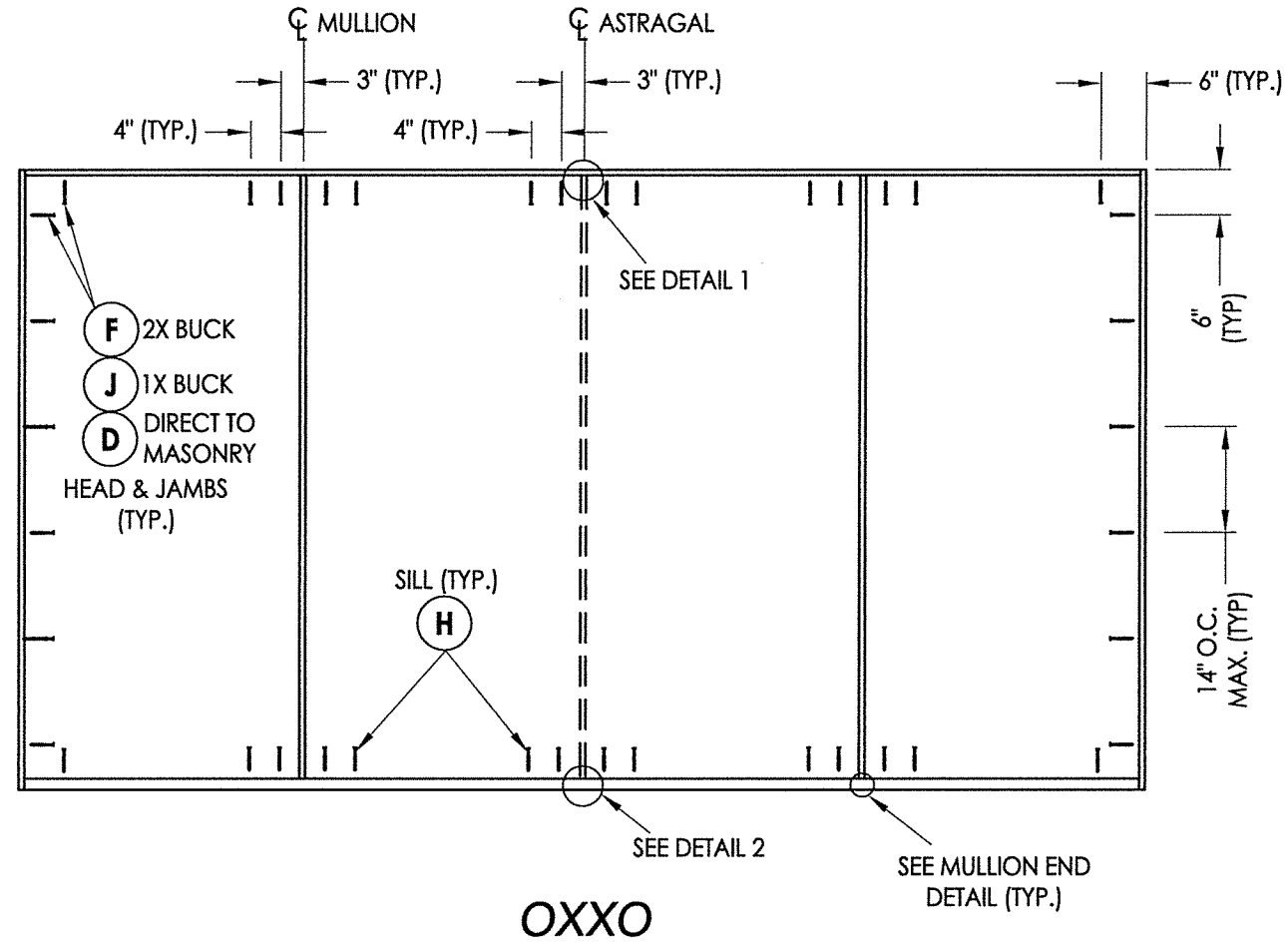
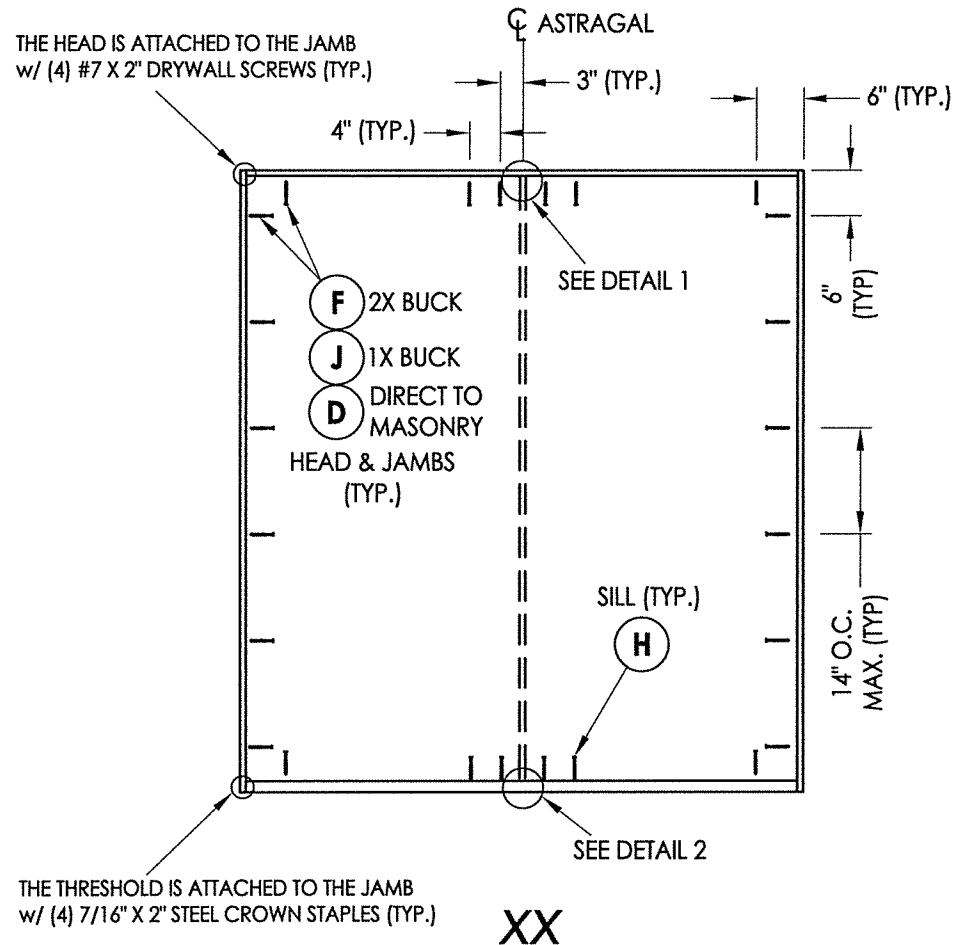
2X BUCK ANCHORING



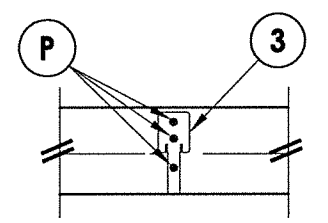
August 6, 2020
 Documents Prepared By:
 Lyndon F. Schmidt
 P.E. No. 43409
 R.W. BUILDING CONSULTANTS, INC.
 P.O. Box 230, Valrico, FL 33595
 Phone No.: 813.659.9197
 FBPE Registry No. 9813

PRODUCT:	DOORSCAPES STEEL DOOR	
PART OR ASSEMBLY:	BUCK ANCHORING	
NO.	DATE	BY
1	8/06/20	LFS
UPDATE TO 7TH ED. (2020) FBC		
REVISIONS		
DATE: 1/21/19		
SCALE: N.T.S.		
DWG. BY: MT		
CHK. BY: LFS		
DRAWING NO.: FL-28832.2		
SHEET 10 OF 13		

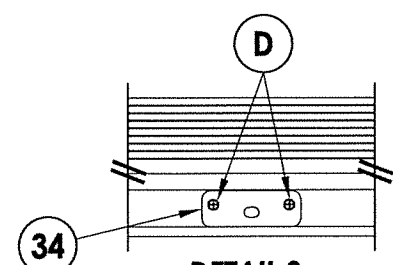
R:\Clients\Doorscapes\A - Florida Product Approvals\FL-28832 (Steel Door)\C - Drawings\FL-28832 (2020)\FL28832.1-2.dwg, 11.2



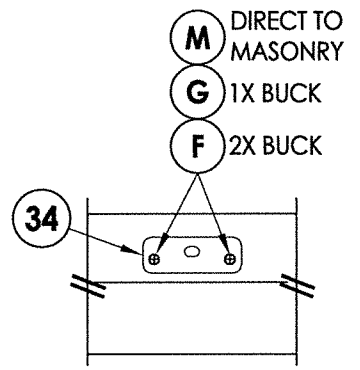
FRAME ANCHORING



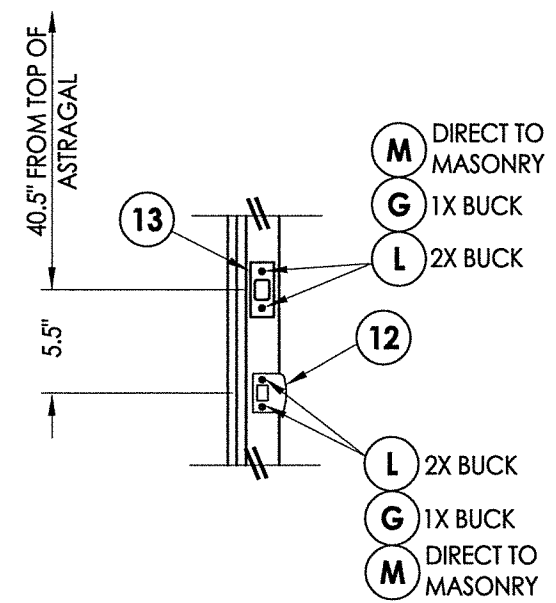
MULLION END DETAIL
(TYP. @ HEAD & SILL)



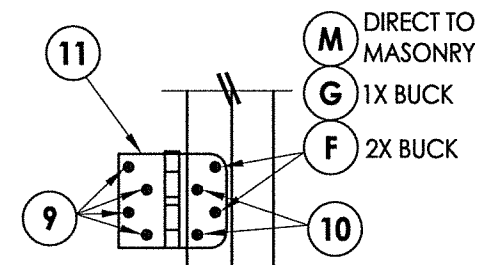
DETAIL 2



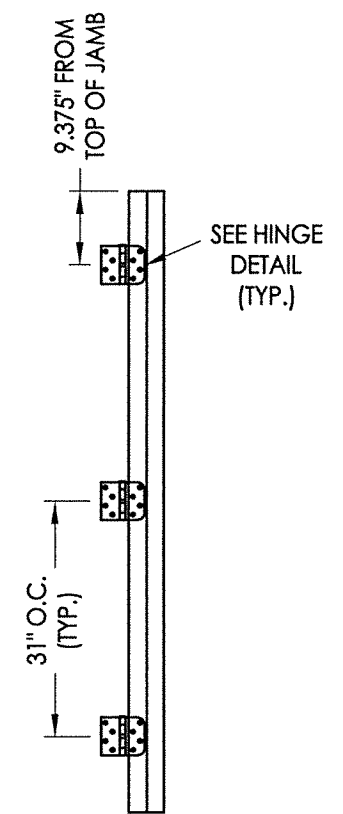
DETAIL 1



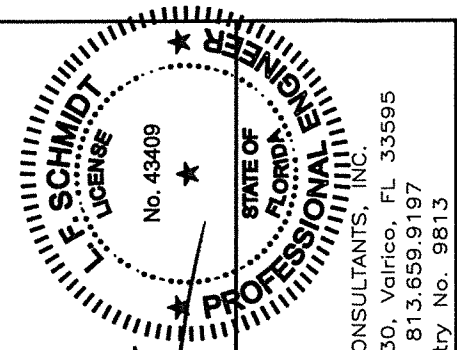
LATCH & DEADBOLT STRIKE DETAILS



HINGE DETAIL



HINGE JAMB



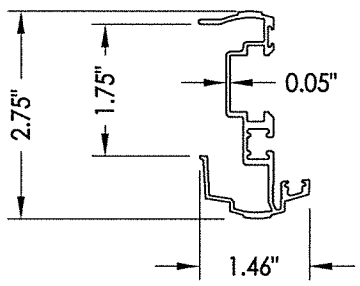
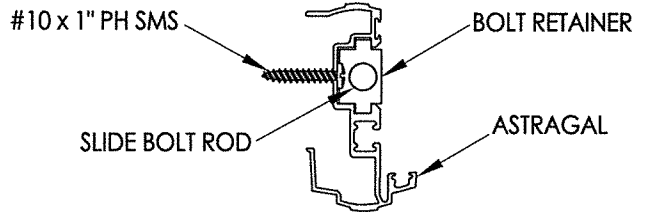
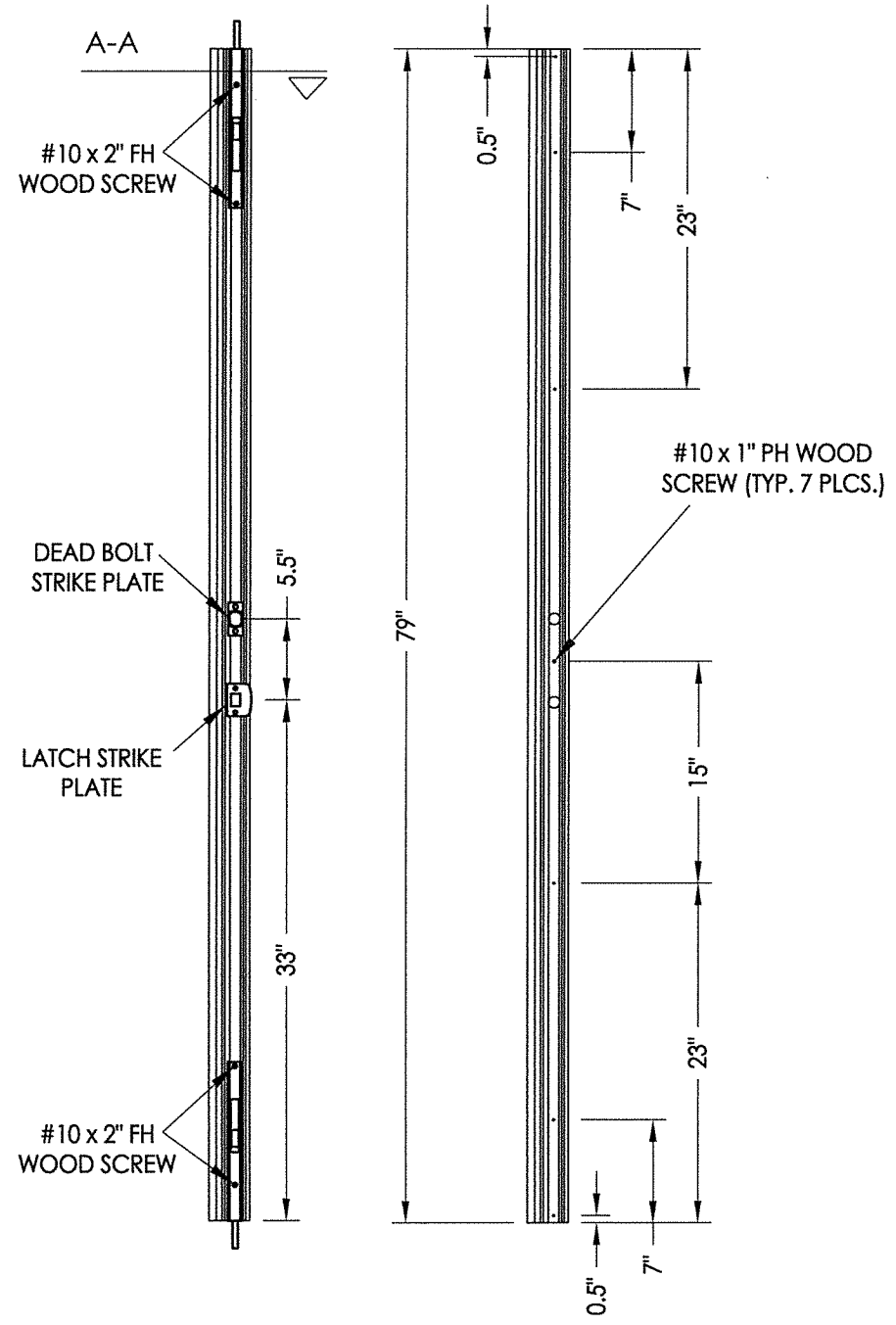
August 6, 2020
 Documents Prepared By:
 Lyndon F. Schmidt
 P.E. No. 43409

R.W.
 BUILDING CONSULTANTS, INC.
 P.O. Box 230, Valrico, FL 33595
 Phone No.: 813.659.9197
 FBPE Registry No. 9813

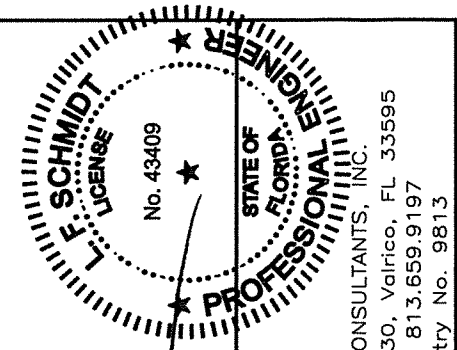
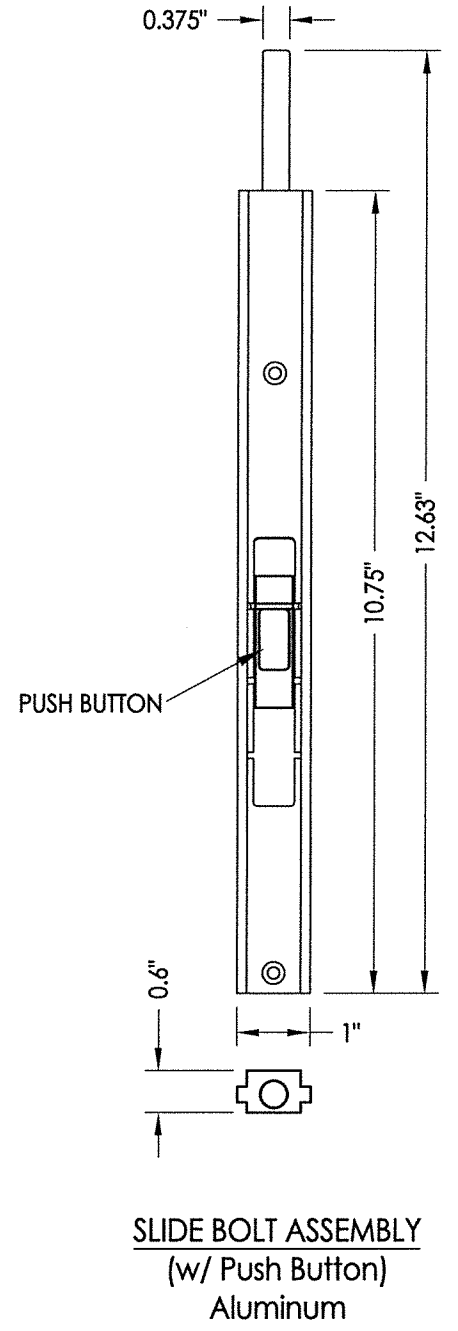
PRODUCT:	DOORSCAPES STEEL DOOR
PART OR ASSEMBLY:	FRAME ANCHORING & HARDWARE DETAILS

NO.	DATE	BY	REVISIONS
1	8/06/20	LFS	UPDATE TO 7TH ED. (2020) FBC

DATE:	1/21/19
SCALE:	N.T.S.
DWG. BY:	MT
CHK. BY:	LFS
DRAWING NO.:	FL-28832.2
SHEET	11 of 13



33 HURRICANE "T" ASTRAGAL by AFCO
 Aluminum



August 6, 2020
 Documents Prepared By:
 Lyndon F. Schmidt
 P.E. No. 43409
 RW
 BUILDING CONSULTANTS, INC.
 P.O. Box 230, Vairico, FL 33595
 Phone No.: 813.659.9197
 FBPE Registry No. 9813

PRODUCT: DOORSCAPES STEEL DOOR
 PART OR ASSEMBLY: BUCK ANCHORING

NO.	DATE	DESCRIPTION	LFS	BY
1	8/06/20	UPDATE TO 7TH ED. (2020)	FBC	

REVISIONS

DATE: 1/21/19
 SCALE: N.T.S.
 DWG. BY: MT
 CHK. BY: LFS
 DRAWING NO.: FL-28832.2
 SHEET 12 OF 13

BILL OF MATERIALS		
ITEM #	DESCRIPTION	MATERIAL
A	1X BUCK (G >= 0.42)	WOOD
B	2X BUCK (G >= 0.42)	WOOD
C	1/4" MAX. SHIM SPACE	-
D	1/4" X 2-3/4" PFH DeWALT OR ITW CONCRETE SCREW	STEEL
E	MASONRY - 3,000 PSI MIN. CONCRETE CONFORMING TO ACI 301 OR HOLLOW BLOCK CONFORMING TO ASTM C90	CONCRETE
F	#10 X 2-1/2" PFH WOOD SCREW (1.15" MIN. EMBEDMENT)	STEEL
G	3/16" X 3-1/4" PFH ITW CONCRETE SCREW	STEEL
H	1/4" X 2-1/4" PFH DeWALT OR ITW CONCRETE SCREW	STEEL
J	1/4" X 3-3/4" PFH DeWALT OR ITW CONCRETE SCREW	STEEL
K	#10 X 2" PFH WOOD SCREW	STEEL
L	#8 X 2-1/2" PFH WOOD SCREW	STEEL
M	3/16" X 2-1/4" PFH ITW CONCRETE SCREW	STEEL
P	#7 X 2-1/2" DRYWALL SCREW	STEEL
1	FINGER JOINT PINE JAMB (G >= 0.42)	WOOD
3	INTEGRAL MULLION (PINE, G >= 0.42)	WOOD
7	WEATHERSTRIP	FOAM
8	DOOR/SIDELITE BOTTOM SWEEP	VINYL
9	#9 X 1" PFH WOOD SCREW	STEEL
10	#10 X 3/4" PFH WOOD SCREW	STEEL
11	4" X 4" BUTT HINGE	STEEL
12	LATCH STRIKE PLATE	STEEL
13	DEADBOLT STRIKE PLATE	STEEL
20	INSWING THRESHOLD (AFCO A-125)	ALUM/WOOD
21	INSWING THRESHOLD (AFCO A-125)	ALUM/COMP
22	INSWING THRESHOLD (AFCO A-276)	ALUM/WOOD
23	INSWING THRESHOLD (AFCO A-280)	ALUM/WOOD
25	#10 X 1" PH SMS	STEEL
33	ALUMINUM ASTRAGAL (AFCO)	ALUM
34	ASTRAGAL STRIKE PLATE	STEEL
40	DOOR PANEL - SEE DOOR PANEL DETAIL SHEET FOR DETAILS	-
50	SIDELITE PANEL - SEE SIDELITE PANEL DETAIL SHEET FOR DETAILS	-

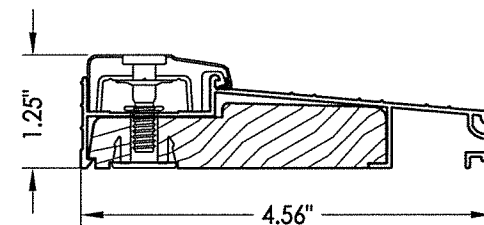
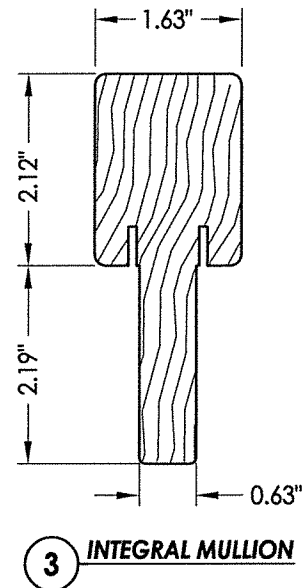
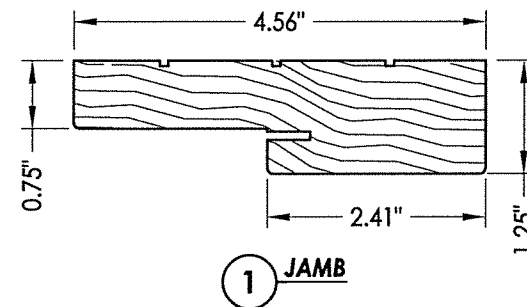
CONCRETE ANCHOR NOTES:

- Concrete anchor locations at the corners may be adjusted to maintain the min. edge distance to mortar joints.
- Concrete anchor locations noted as "MAX. ON CENTER" must be adjusted to maintain the min. edge distance to mortar joints, additional concrete anchors may be required to ensure the "MAX. ON CENTER" dimension are not exceeded.
- Concrete anchor table:

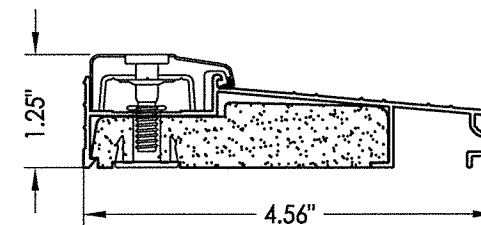
ANCHOR TYPE	ANCHOR SIZE	MIN. EMBEDMENT	MIN. CLEARANCE TO MASONRY EDGE	MIN. CLEARANCE TO ADJACENT ANCHOR
ITW BUILDEX TAPCON®	3/16"	1-1/4"	3"	1-1/2"
	1/4"	1-1/4"	2"	4"
DeWALT ULTRACON®	1/4"	1-1/4"	1"	4"

WOOD SCREW INSTALLATION NOTES:

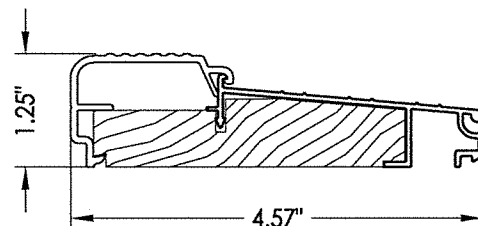
- Maintain a minimum 5/8" edge distance, 1" end distance, & 1" o.c. spacing of wood screws to prevent the splitting of wood.



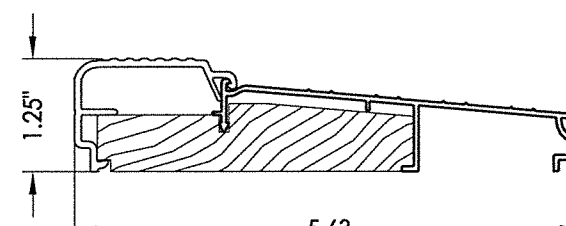
20 INSWING ADJUSTABLE THRESHOLD



21 INSWING ADJUSTABLE THRESHOLD



22 INSWING FIXED THRESHOLD



23 INSWING FIXED THRESHOLD

August 6, 2020
 Documents Prepared By:
 Lyndon F. Schmidt
 P.E. No. 43409

PROFESSIONAL ENGINEER
 BUILDING CONSULTANTS, INC.
 P.O. Box 230, Valrico, FL 33595
 Phone No.: 813.659.9197
 FBPE Registry No. 9813

PRODUCT:		DOORSCAPES STEEL DOOR	
PART OR ASSEMBLY:		BILL OF MATERIALS & COMPONENTS	
NO.	DATE	BY	REVISIONS
1	8/06/20	LFS	UPDATE TO 7TH ED. (2020) FBC
DATE: 1/21/19			
SCALE: N.T.S.			
DWG. BY: MT			
CHK. BY: LFS			
DRAWING NO.: FL-28832.2			
SHEET 13 OF 13			